

4

3

2

1

THIS DRAWING IS UNPUBLISHED.

RELEASED FOR PUBLICATION

---

© COPYRIGHT - By -

ALL RIGHTS RESERVED.

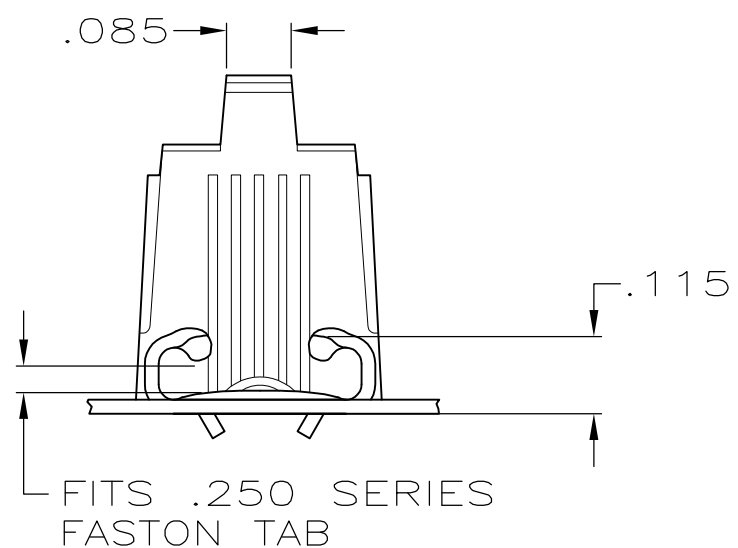
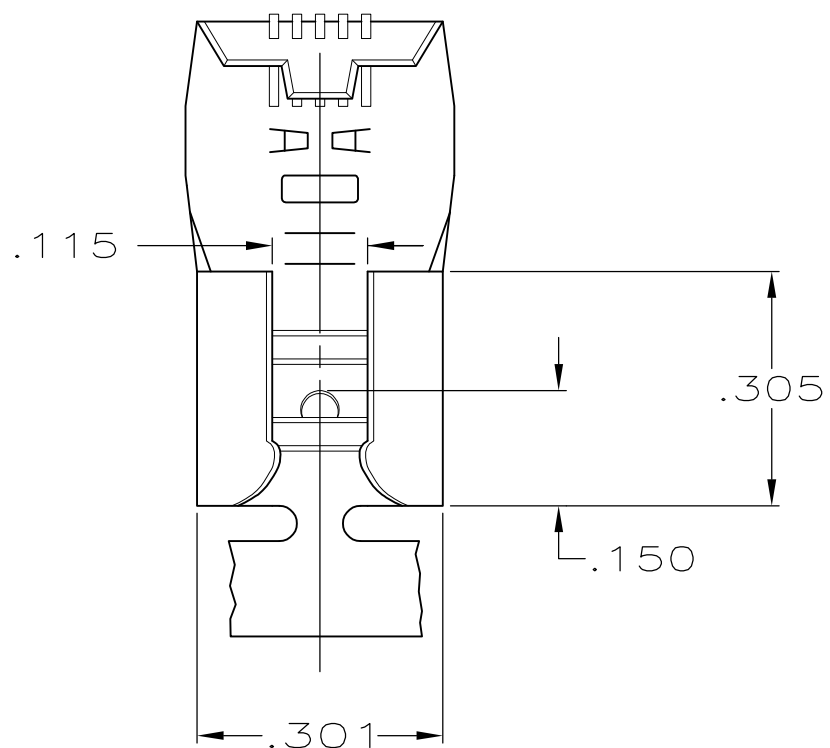
LOC  
AF

DIST  
50


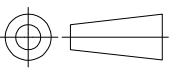
REVISIONS

P	LTR	DESCRIPTION	DATE	DWN	APVD
	J	REVISED PER ECR-12-013459	28NOV2012	KH	PD

1 CONTINUOUS STRIP ON REELS.



12-10 OR (2) #14	.032 ±.001	PRE-TIN	BRASS	62011-2
12-10 OR (2) #14	.032 ±.001	---	BRASS	62011-1
WIRE SIZE	TAB THK	FINISH	MATERIAL	PART NO

THIS DRAWING IS A CONTROLLED DOCUMENT.		DWN JR RUTH 2/3/86	 <b>TE Connectivity</b>  RECEPTACLE, FASTON, FLAG, .250 SERIES				
DIMENSIONS: INCHES		CHK MS FEHER 2/3/86				NAME	
		APVD C MEYERS 2/5/86				PRODUCT SPEC	
TOLERANCES UNLESS OTHERWISE SPECIFIED:		APPLICATION SPEC				RESTRICTED TO	
MATERIAL SEE TABLE		FINISH SEE TABLE		WEIGHT -	SIZE A3		
		CUSTOMER DRAWING		SCALE NTS	CAGE CODE 00779		
				DRAWING NO C-62011	SHEET 1 OF 1		
				REV J			